

Check Sample Gas Filter Is Not Blocked And Still Porous
Replace Filter If Necessary



Cause:
Oxygen Sensors Are Partial Pressure Devices And Any Pressure Much Over Ambient Pressure Can Cause The O2 To Read High, As Now There Are More Molecules Contained In The Gas Due To The Increased Pressure - If The Filter Is Plugged Then The Unit May 'Miscalibrate' Low Due To The Build-Up Of Pressure Underneath The Sample Filter

Cal Gas Cylinder

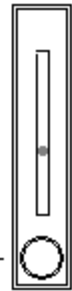


Set To 15 PSIG



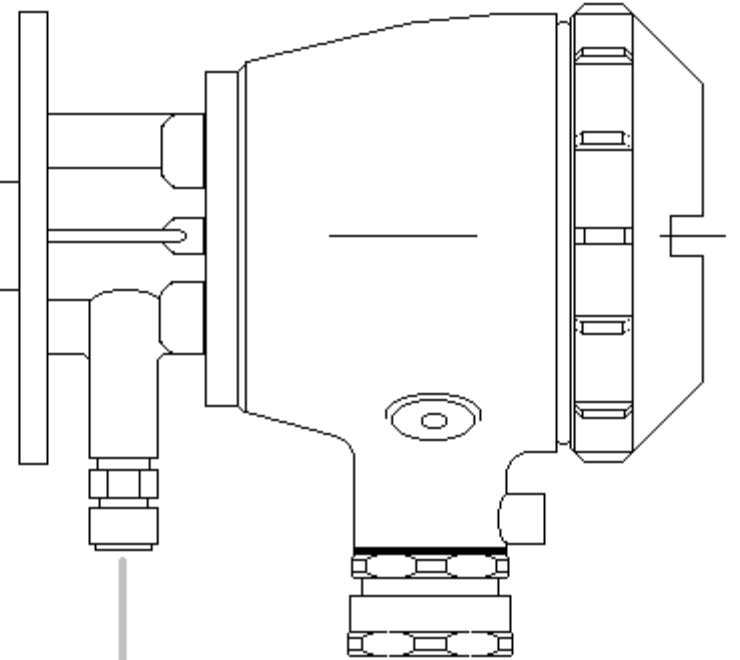
AVU

Adjust Flow Control Needle Valve To Read 1.25LPM or (2.5 SCFH)



Pressure Effect: (measured at 10%)		
PSIG	H2O	O2
0.0	0.0	10.0%
0.3	8.3	10.2%
1.0	27.8	10.7%
14.7	408.0	20.0%

O2 Readings Double At Two Atmospheres



Effect:
Transmitter Will Calibrate Low Because The Higher O2 Value Will Adjust Down To The Programmed Value During Cal. And When The Cal. Gas Pressure Is Removed The Reading Will Then Go Lower Than The Programmed Value

DELTA INSTRUMENT LLC Northvale, NJ 07647.	
Job:	Rev: 0
Filter Replacement - Back Pressure	
Tech Talk Series	Date: 01/04/08