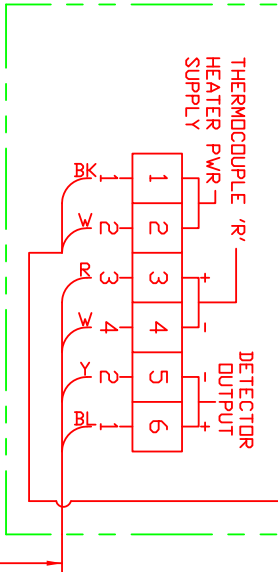


REVISIONS				
ZONE	REV	DESCRIPTION	DATE	APPROVED

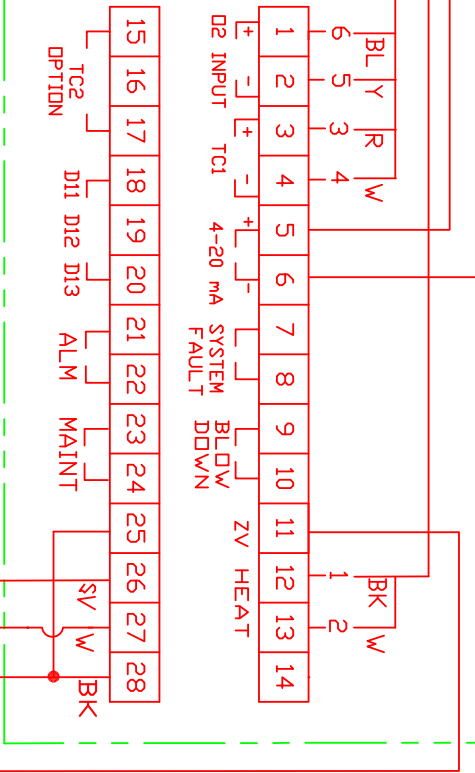
NOTES:
THE ANALYZER SHOULD BE PIPED,
WIRED AND GROUNDED IN ACCORDANCE
WITH ALL LOCAL CODES AND ORDINANCES.

ZFK2 OXYGEN DETECTOR



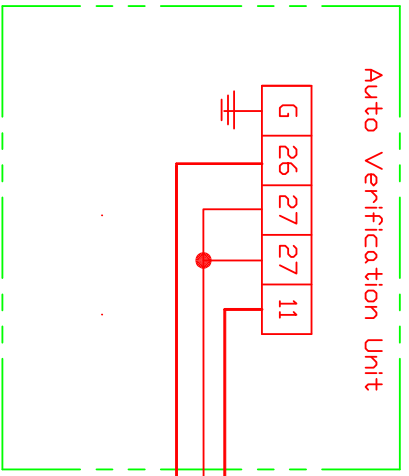
CONNECTING CABLE ZKM TO ZFK
CONDUIT (INSTALLED BY CUSTOMER)
CONNECTING CABLE LENGTHS UP TO
1000 FT ARE AVAILABLE AS AN OPTION.

ZKM OXYGEN TRANSMITTER



TERMINALS 25 & 28 MUST
BE JUMPED FOR USE WITH AVU

4-20mADC
OUTPUT
(ISOLATED)
MAX LOAD
500 OHMS



Delta Instrument LLC		SCALE	
ZKM Auto Verification Unit Wiring		SIZE	FSQM NO.
		DWG NO.	REV
		SHEET	