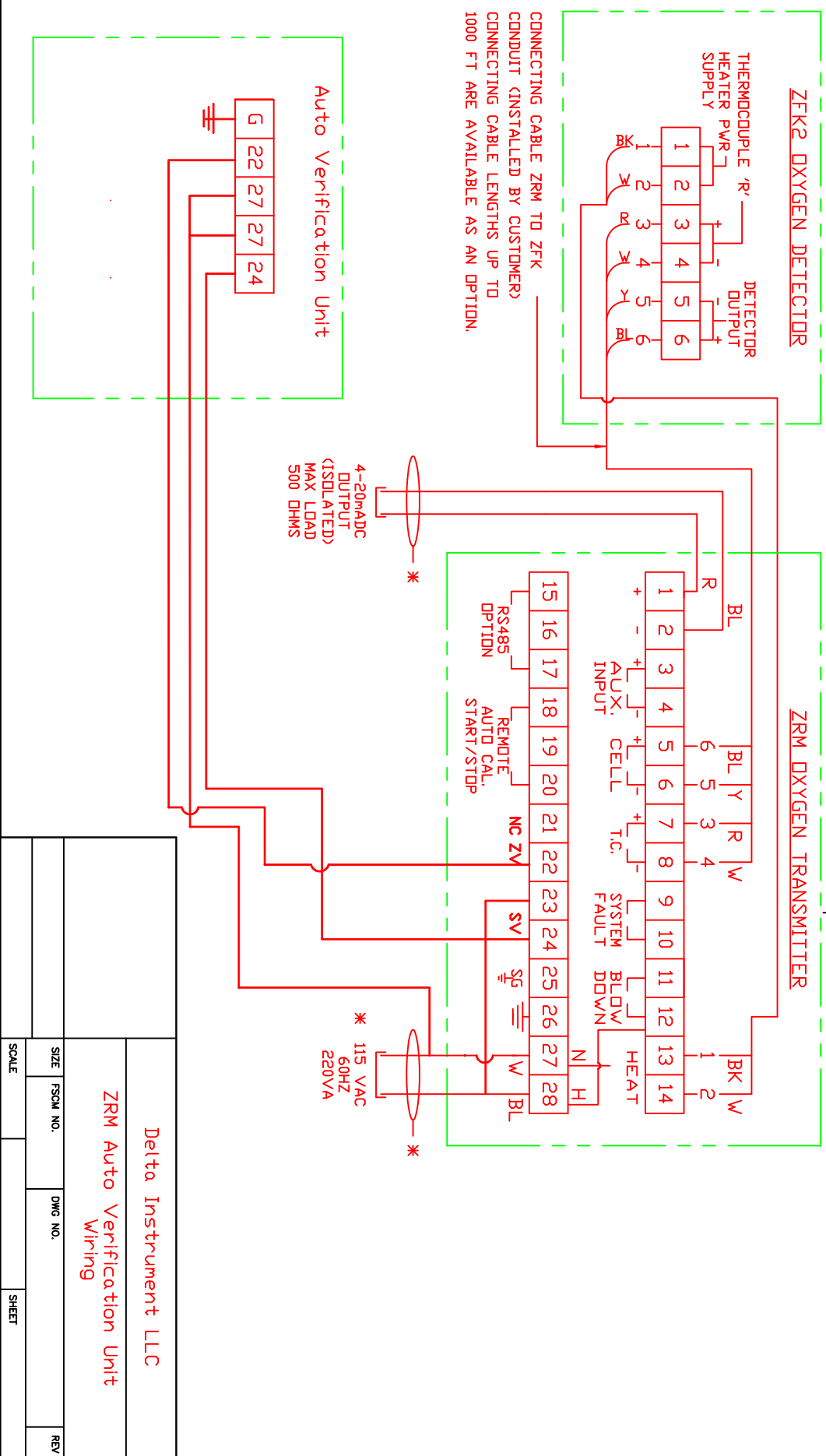


REVISIONS				
ZONE	REV	DESCRIPTION	DATE	APPROVED

NOTES:
 THE ANALYZER SHOULD BE PIPED,
 WIRED AND GROUNDED IN ACCORDANCE
 WITH ALL LOCAL CODES AND ORDINANCES.



CONNECTING CABLE ZRM TO ZFK
 CONDUIT (INSTALLED BY CUSTOMER)
 CONNECTING CABLE LENGTHS UP TO
 1000 FT ARE AVAILABLE AS AN OPTION.

Delta Instrument LLC		SIZE	FSQM NO.	DWG NO.	REV
ZRM Auto Verification Unit Wiring		SCALE			
		SHEET			